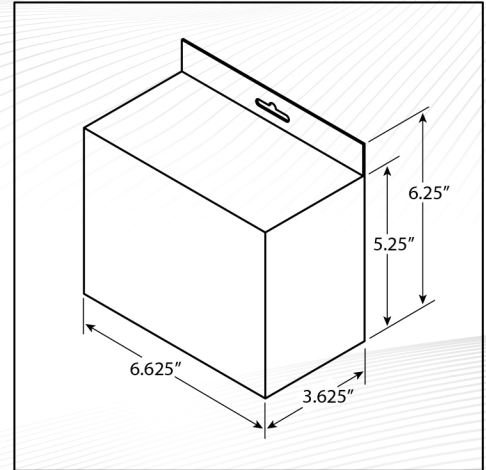


UNIVERSAL WET/DRY VACUUM STABILITY BRACKET

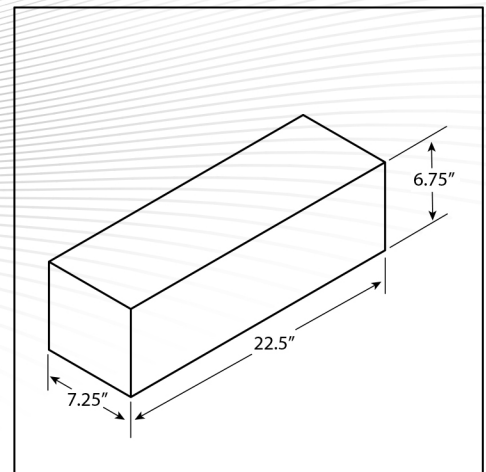
INDIVIDUAL BOX SIZE (PN: SB5435001)

Width	6.625"
Box height	5.25"
Height w/ tab	6.25"
Depth	3.625"
Weight:	7.5 oz



MASTER PACK SIZE (PN: SB5435006)

Number of individual boxes/master pack	6
Width:	7.25"
Height:	6.75"
Depth:	22.5"
Weight:	3.75 lbs



PALLET SIZE (PN: SB5435300)

Number of individual boxes/pallet	300
Number of master packs/pallet	50
Pallet size	40x48"
Width	40"
Height w/ pallet	40"
Depth	48"
Weight w/ pallet	235 lbs

